

STC Electric Actuated Valves



Precision Engineered

Fine Quality



Advanced Design



Excellent Prices

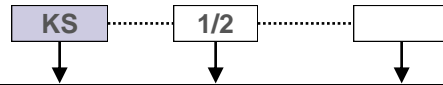



connects fluid power to industrial automation™

Website: StcValve.com

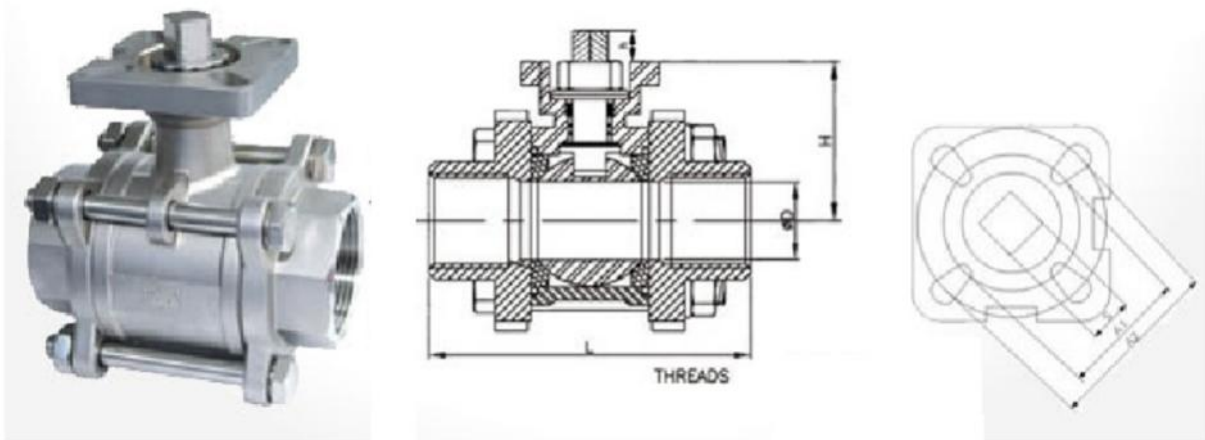
STC Air Actuated Valve Numbering System

Ordering Part No. =
(eg. KS-1/2)



		AIR ACTUATED VALVE	Model	Port Size (NPT)	Options
	Ball Valve 316 Stainless Steel	Single Acting (Spring Return)	KS	1/2"	VALVE CONNECTION OPTIONS: BLANK= NPT CONNECTION F= FLANGE CONNECTION W= BUTT WELD CONNECTION ACTUATOR SEAL OPTIONS: BLANK= NBR S= ACTUATOR WITH HIGH TEMP SILICONE SEAL V= ACTUATOR WITH HIGH TEMP VITON SEAL
				3/4"	
				1"	
				1 1/4"	
				1 1/2"	
		Double Acting (Air Return)	KD	2"	
				2 1/2"	
				3"	
				4"	

ACTUATOR MOUNT BALL VALVE SPECIFICATIONS



Model: V3 Specifications	
Operating Pressure	1/2" to 2": 1000 PSI @ 100°F WOG 2 1/2" to 3" : 800 PSI @ 100°F WOG
Operating Temperature	-60 to 450°F*
Port	Full Port
Port Connection	End Connections: FNPT
Mounting standard	DIN 3203-M3, ISO 5211 MOUNTING PAD, ISO5211 PLATFORM

Main Parts and Materials			
No	Part Name	Material	Qty
1	SEAT	PTFE	2
2	BALL	SS316	1
3	JOINT GASKET	PTFE	1
4	CAP	SS316	1
5	BODY, BODY CONNECTOR	SS316/CF8M	1, 2
6	STEM	SS316	1
7	THRUST WASHER	PTFE	1
8	STEM PACKING	PTFE	1
9	GLAND NUT	SS304	1
10	STEM WASHER	SS304	1
11	STEM NUT	SS304	1
14	BODY CONNECTOR BOLT	SS304	4
15	BODY CONNECTOR NUT & WASHER	SS304	4

Dimensions (mm)							
SIZE						ISO5211	
NPT	D	L	H	h	S	A1	A2
1/2"	15	75	38	9	9	F03	F04
3/4"	20	80	47	9	9	F03	F04
1"	25	90	57.2	11	11	F04	F05
1 1/4"	32	110	62.5	11	11	F04	f05
1 1/2"	38	120	77.5	14	14	F05	F07
2"	50	140	86.5	14	14	F05	F07
2 1/2"	65	162	108	17	17	F07	F10
3"	80	184	115	17	17	F07	F10
4"	100	228	141	22	22	F07	F10

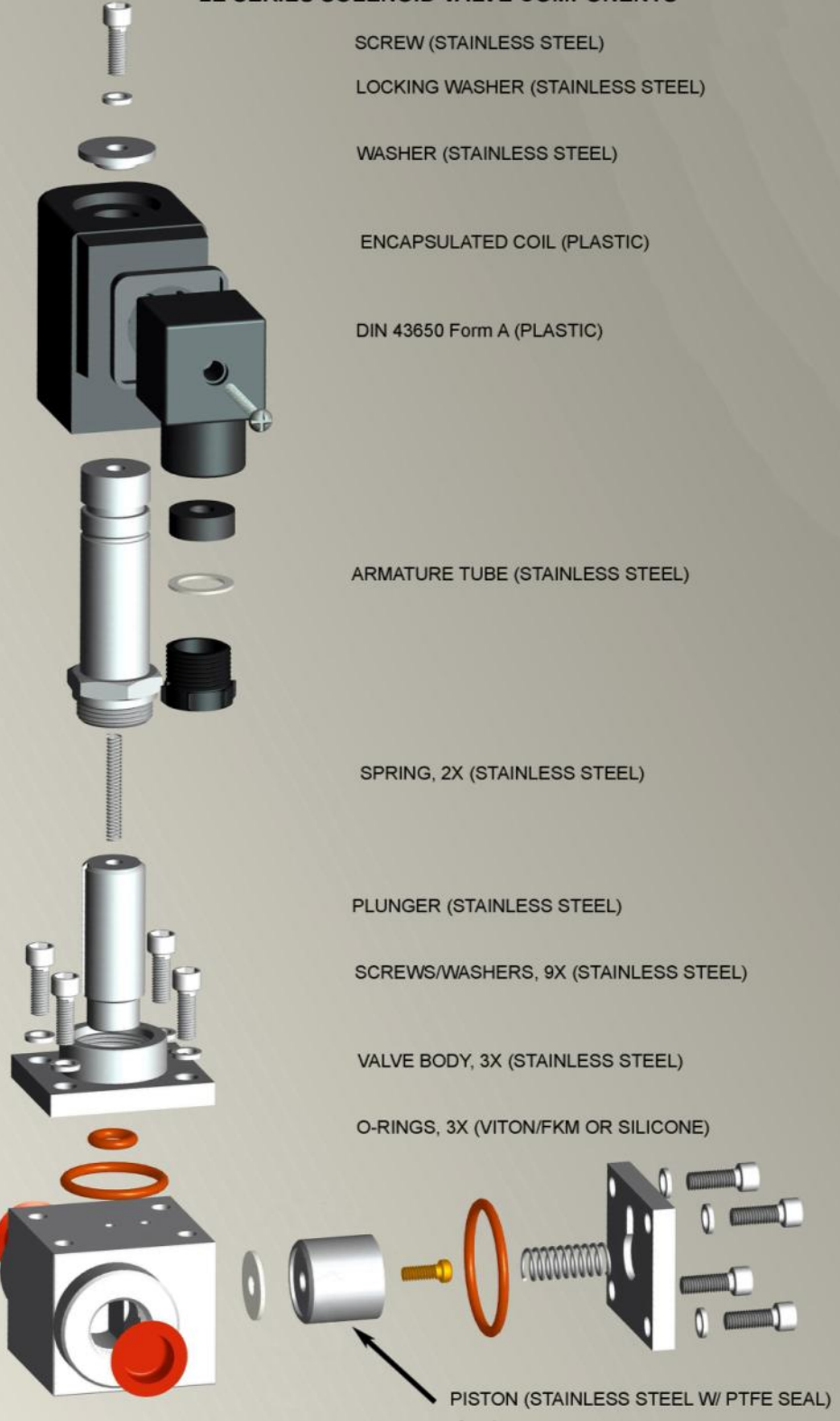
2ED—3ED Series 2-3 Way Electric Actuated Ball Valves



Specifications									
Model	2ED-3/8	2ED-1/2	2ED-3/4	2ED-1	2ED-1 1/2	2ED-1 1/2	2ED-2	2ED-3	2ED-4
Price	\$385.00	\$480.00	\$480.00	\$577.00	\$577.00	\$577.00	\$577.00	\$638.00	\$638.00
Port Size (NPT)	3/8	1/2	3/4	1	1 1/4	1 1/2	2	3	4
Orifice (mm)	10	15	20	25	32	40	50	75	100
Length (mm)	60	70	70	80	80	80	80	90	90
Height (mm)	125	138	138	144	144	144	144	154	154
Medium	Air, Gas, Liquid, Oil, Water, Steam (WOG)								
Action type	ROTARY BALL VALVE								
Temperature	-40 to 356 °F (-40 to 180 °C)								
Operating Pressure	0-1000 psi								
Materials	Body: 316 Stainless Steel, Seal: PTFE								
Coil	20 WATT, IP65 Encapsulated plug-in coils. DIN 43650, Form A , Class F, Option Class H, 100% ED (Continuous Duty)								
Standard Voltage Options	12, 24 VDC; 24, 110/120, 220/240 VAC, 50/60 Hz								
Installation	Install the valve in any position								



2E SERIES SOLENOID VALVE COMPONENTS



Installation and Operation:

To connect the valve Inlet and Outlet:

Connect the inlet and outlet in the direction of the arrow marked on the valve.

To install coil:

Put the coil onto the armature tube of the valve. Put the lock-washer and nut onto the armature tube. Hand tighten the nut, then use a wrench to tighten the nut to a quarter turn; **do not over-tighten the nut, it may cause the armature tube to fail pre-maturely.**

To connect DIN coil:

1. Remove the Philip screw from the plastic housing and unplug it from the DIN coil.
2. From the screw opening, push the terminal block out from the plastic housing.
3. Note the 1, 2 and ground markings on underside of DIN enclosure.
4. For DC DIN Coil, Connect 1 to Positive, 2 to Negative.
5. For AC DIN Coil, connect 1 to HOT wire, 2 to Neutral wire, and if required connect
6. **Do not energize the coil without installing it onto the valve, it will burn the coil and create fire hazards.**

Safety Note: Standard valves are supplied with continuous duty coils. The proper class of insulation for the service is indicated on the coil. The coil temperature may become hot after being energized for extended periods, but it is normal. Do not energize the coil without installing it onto the valve or connect the coil to a wrong voltage, as it may overheat and damage the coil; although the coil is made of flame retarded material, misuse of the coil in this manner could create fire hazards and generate smoke or burning odor which indicates excessive coil temperature and should disconnect the power to the coil immediately.

Operation: 2E series valve is a 2/2 Pilot Piston, Normally Closed Solenoid Valve.

When the valve receives an electrical signal, a magnetic field is formed which attracts the plunger covering the main orifice to lift off, causing system pressure to drop. As system pressure on the top of the piston is reduced, full system pressure on the other side of the piston acts to lift the piston away from the main orifice, which allows media to flow through the valve. Since the bleed orifice is dimensionally smaller than the pilot orifice, the system pressure cannot rebuild on the top of the piston as long as the pilot orifice remains open.

When the valve is de-energized, it releases its hold on the plunger. Then the plunger forced by the spring drops and covers the main orifice. The system pressure builds up on the top of the piston through the bleed orifice, forcing the piston down until it covers the main orifice and stops media flow through the valve.

Terms and Conditions

By purchasing from SIZTO TECH CORPORATION (STC), you agree to these TERMS AND CONDITIONS. No other terms shall apply except as agreed in writing signed by us. We reserve the right to correct typographic errors and reject orders.

SHIPMENTS:

All shipments are F.O.B. 892 Commercial Street, Palo Alto, CA 94303, USA. Most orders are shipped via UPS Standard Ground unless instructions accompany order. Outside the UPS zones, shipment will be made Best Way. The responsibility for goods delay, lost or damaged in transit rests with the carrier and purchaser. Purchaser may purchase shipping insurance to cover lost or damaged products caused by shipping.

RETURN OF MERCHANDISE:

No merchandise is accepted for return 30 days after delivery date. No credit allowed on merchandise shipped as ordered and returned without obtaining an authorization number IN ADVANCE. A 20% restocking charge applies to all returns, and transportation charges must be fully pre-paid. We will pay **ground** transportation charges on re-sent or returned merchandise due to STC's error.

Shortages & Mis-Shipments: Any shortages or mis-shipment must be reported within 15 days.

CANCELLATION POLICY:

Blanket order can be canceled 90 days before scheduled ship date. There will be a 10% charge if a blanket order is cancel within 90 days of scheduled ship date, and a 20% charge if cancel within 60 days. Regular order for non-custom parts can be canceled any time before the order is shipped. For custom parts, a 30% down payment is required either at the time of order or 90 days prior to scheduled ship date, whichever comes later.

Remittances should be sent to:

Sizto Tech Corporation, 892 Commercial Street, Palo Alto, CA 94303, USA

Credit Card Payments: Visa, MasterCard, Discover, or American Express Accepted

International Customers: Advance Payment Required via Bank Wire, Cashier's Check or Approved Credit Card.

Credit Application: To establish a net 30 day account, please mail or fax three trade references with complete mailing addresses and account numbers.

LIMITED WARRANTY – IMPORTANT NOTICE TO PURCHASER:

Sizto Tech Corporation (STC) only warrants this product to be free from defects in materials and workmanship at the time of shipment. This limited warranty expires one year after delivery to the end-user. STC's entire obligation to the Purchaser for breach of this limited warranty shall be limited to replacement of the defective product or refund of the original purchase price of this product, at STC's option. Purchaser has thirty (30) days to return the goods after STC has agreed to accept the return. All freight charges on returned material shall be paid by the Purchaser. STC's limited warranty shall not apply, however, to the product that have been subjected to misuse, alteration, accident or negligence during handling or storage.

DISCLAIMER OF IMPLIED WARRANTIES:

All implied warranties, which may arise by implication of law or application of course of dealing or usage of trade, including, but not limited to, implied warranties of merchantability or fitness for a particular purpose are expressly excluded. There are no warranties, which extend beyond the description of the faced hereof. The end user is solely responsible for the suitability and fitness of this product selected for a particular application.

OBLIGATIONS

You warrant, represent and agree: (1) to comply with all laws; (2) that our sale and shipment of the product will not, by export thereof, your legal status or otherwise, cause us to violate any law; and (3) to indemnify us against any losses from a failure by you or a third party to comply with law or these terms and conditions, or from use of the product.

SAFETY WARNING

Failure or improper selection or improper use of the components and products described herein or related items can cause death, personal injury and/or property damage. This document and other related information from STC provides products options for further investigation by users having the technical expertise. It is important that you analyze all aspects of your application and review the information concerning the component or product in the current catalog. Due to the variety of operation conditions and applications for these components or products, the user, through his own analysis and testing, is solely responsible for making the final selection and installation of the components and products and assuring that all performance, safety and warning requirements of the application are met. All products set-ups and maintenance require the supervision of a qualified individual who is familiar with installation, inspection and testing through training or experience.

IMPORTANT NOTICE:

The products described herein, including without limitation, product features, specifications, design, availability and pricing, are subject to change without notice. We continuously improve the products, and we reserve the right to change specifications without incurring any obligation to incorporate new factors in equipment previously sold.



Sizto Tech Corporation

892 Commercial Street
Palo Alto, CA 94303 USA

Tel: 650-856 8833 | Fax: 650-856 8811

Email: Sales@StcValve.com; www.StcValve.com