

# STC Manual Air Valves


















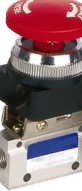












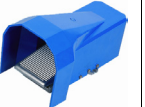


Manual Air Valves



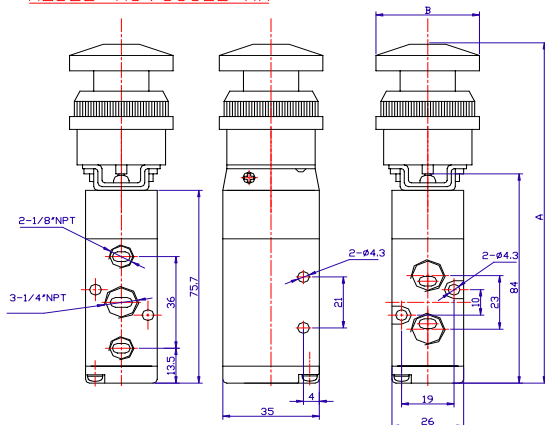
connects fluid power to industrial automation™

## Manual Air Valves

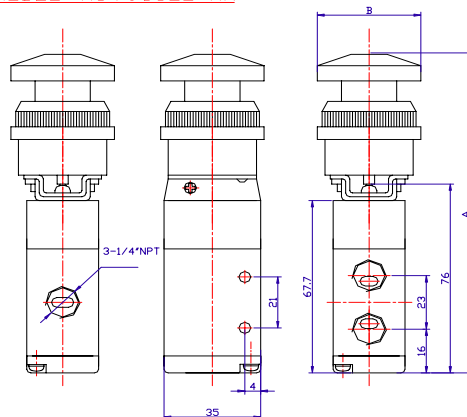
1/4" NPT 4 Way 5 Port 2 Position Air Valves								
Model Price	MSV86522TB \$28.71	MSV86522EB \$28.71	MSV86522PB \$28.71	MSV86522PP \$28.71	MSV86522R \$28.71	MSV86522 \$28.71	TSV86522 \$30.25	4R210 \$20.30
Description	Two Position Detented Switch Cv 0.89	Emergency Stop Detented Cv 0.89	Palm Button Momentary Cv 0.89	Push Button Momentary Cv 0.89	Roller Lever Cv 0.89	Pin Plunger Cv 0.89	Lever Detented Cv 1.0	Pull/Push Detented Cv 0.89
1/4" NPT 3 Way 3 Port 2 Position Air Valves								
Model Price	MSV98322TB \$27.23	MSV98322EB \$27.23	MSV98322PB \$27.23	MSV98322PP \$27.23	MSV98322R \$27.23	MSV98322 \$27.23	TSV98322-M \$28.71	3R210 \$19.80
Description	Two Position Switch Cv 0.89	Emergency Stop Detented Cv 0.89	Palm Button Momentary Cv 0.89	Push Button Momentary Cv 0.89	Roller Lever Momentary Cv 0.89	Pin Plunger Momentary Cv 0.89	Lever Detented Cv 1.0	Pull/Push Detented Cv 0.89
1/8" NPT 3 Way 2 Port 2 Position Air Valves					1/4" NPT Mechanical Air Valves			
Model Price	MOV-01 \$17.33	MOV-03 \$17.33	MOV-03A \$17.33	MOV-02 \$15.84	Model Price	QE \$15.44	ASC \$12.87	4R210-S \$20.30
Description	Two Position Switch Cv 0.67	Emergency Stop Detented Cv 0.67	Push Button Momentary Cv 0.67	Roller Lever Momentary Cv 0.67	Description	Quick Exhaust Valve	In-line Flow Control Valve	4 Way 2 Position Momentary Cv 0.89
1/4" NPT Air Valves								
Model Price	HV410 \$31.19	HV400 \$31.19	4H230C-S 56.94	FV320 \$33.17	FV420 \$33.17	4F210 \$40.10	4F210L \$51.48	4F210G \$62.87
Description	2 Position 4 Way Valve Cv 1.68	3 Position 4 Way Valve Closed Center Cv 1.68	3 Position 4 Way Cv 0.89 Closed Center Momentary	3 Way Momentary Foot Valve	4 Way Momentary Foot Valve	4 Way Momentary Foot Valve	4 Way Detented Foot Valve	4 Way Shielded Momentary Foot Valve

# Air Valve Dimensions

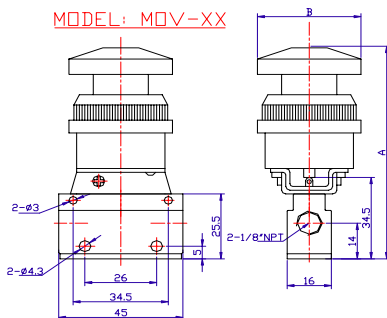
MODEL: MSV86522-XX



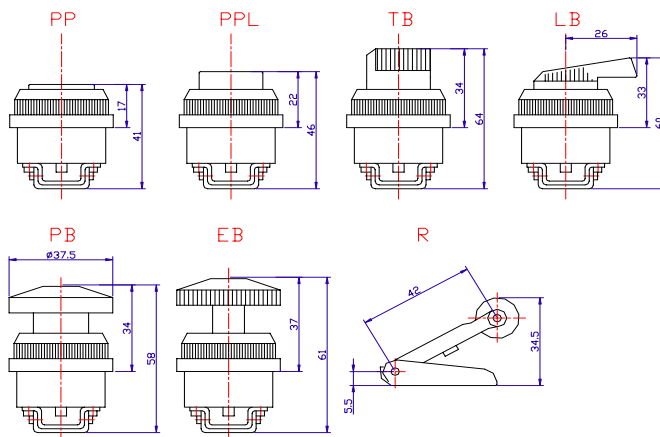
MODEL: MSV98322-XX



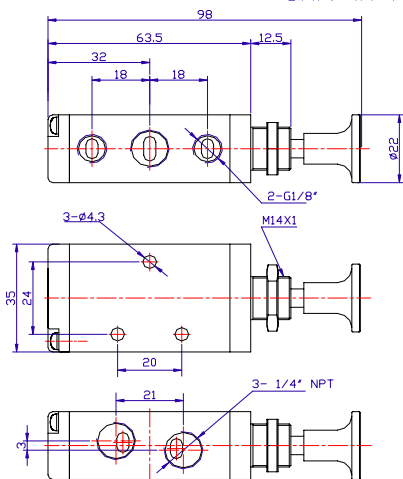
MODEL: MOV-XX



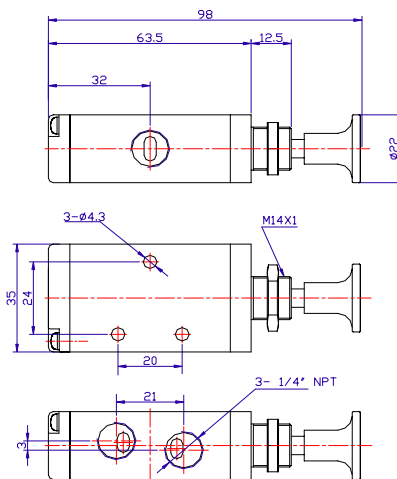
BUTTON STYLE



4R210 Unit in mm



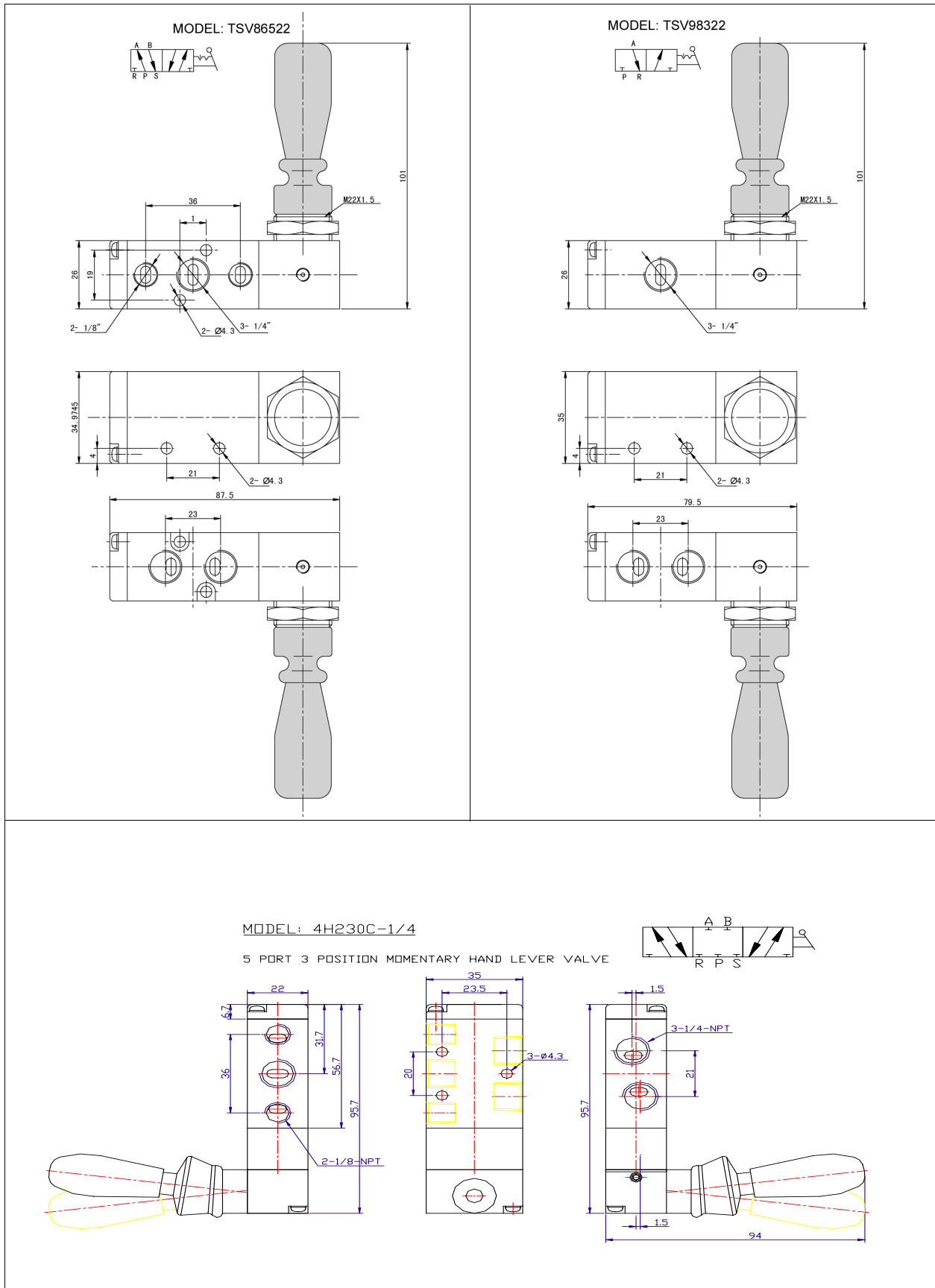
3R210



Unit in (mm)



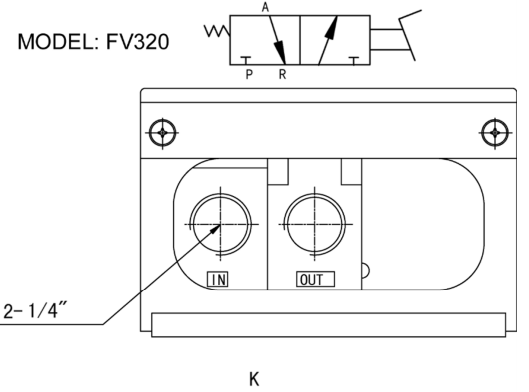
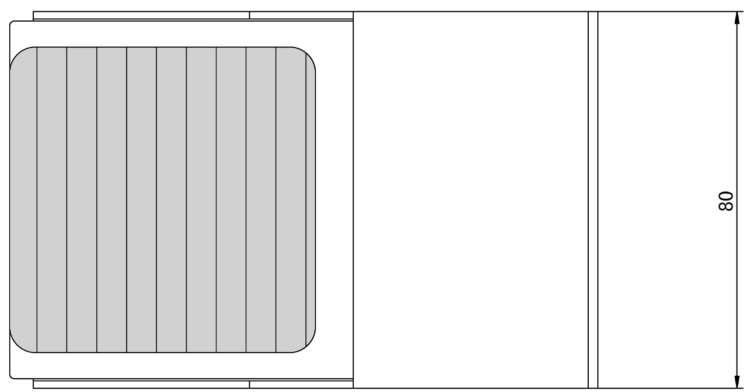
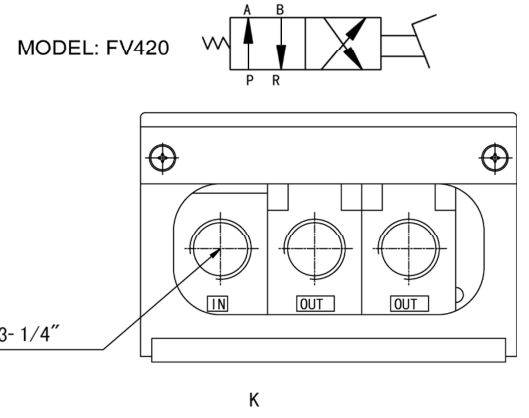
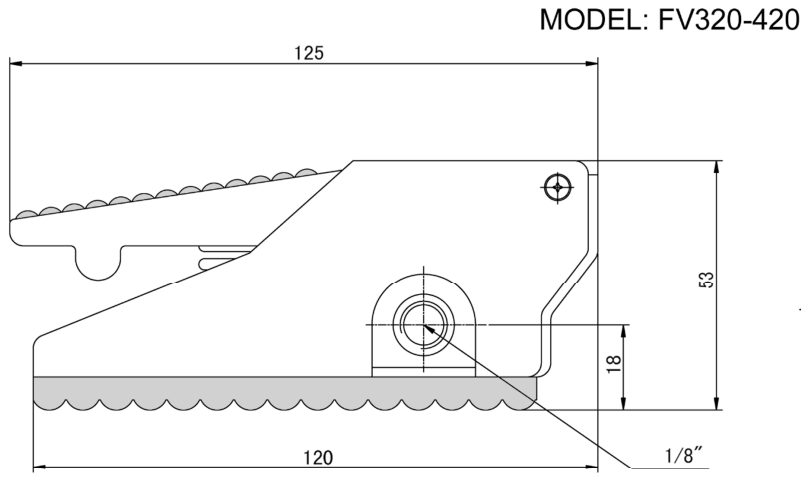
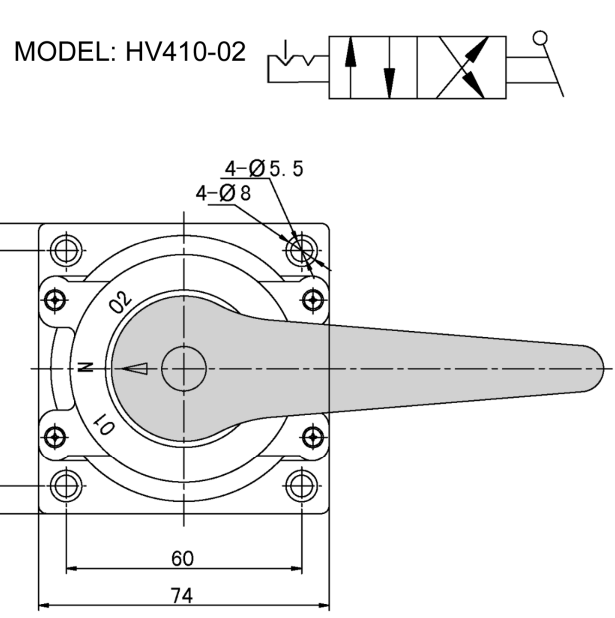
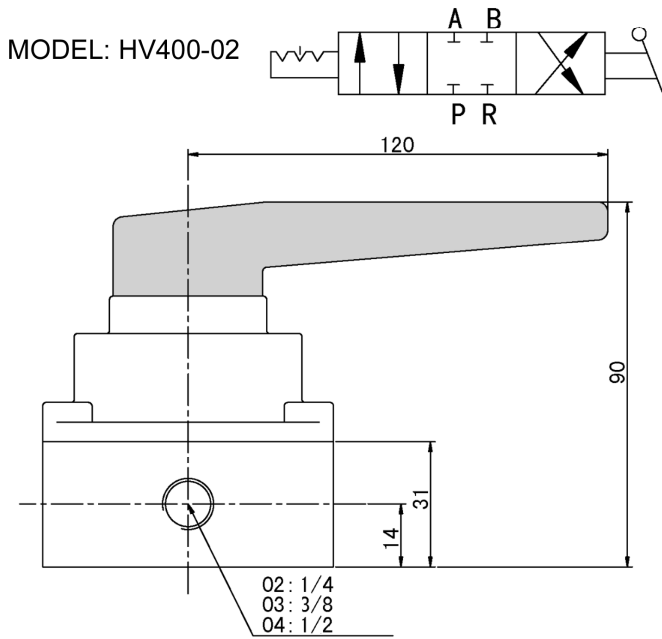
# Air Valve Dimensions



Unit in (mm)

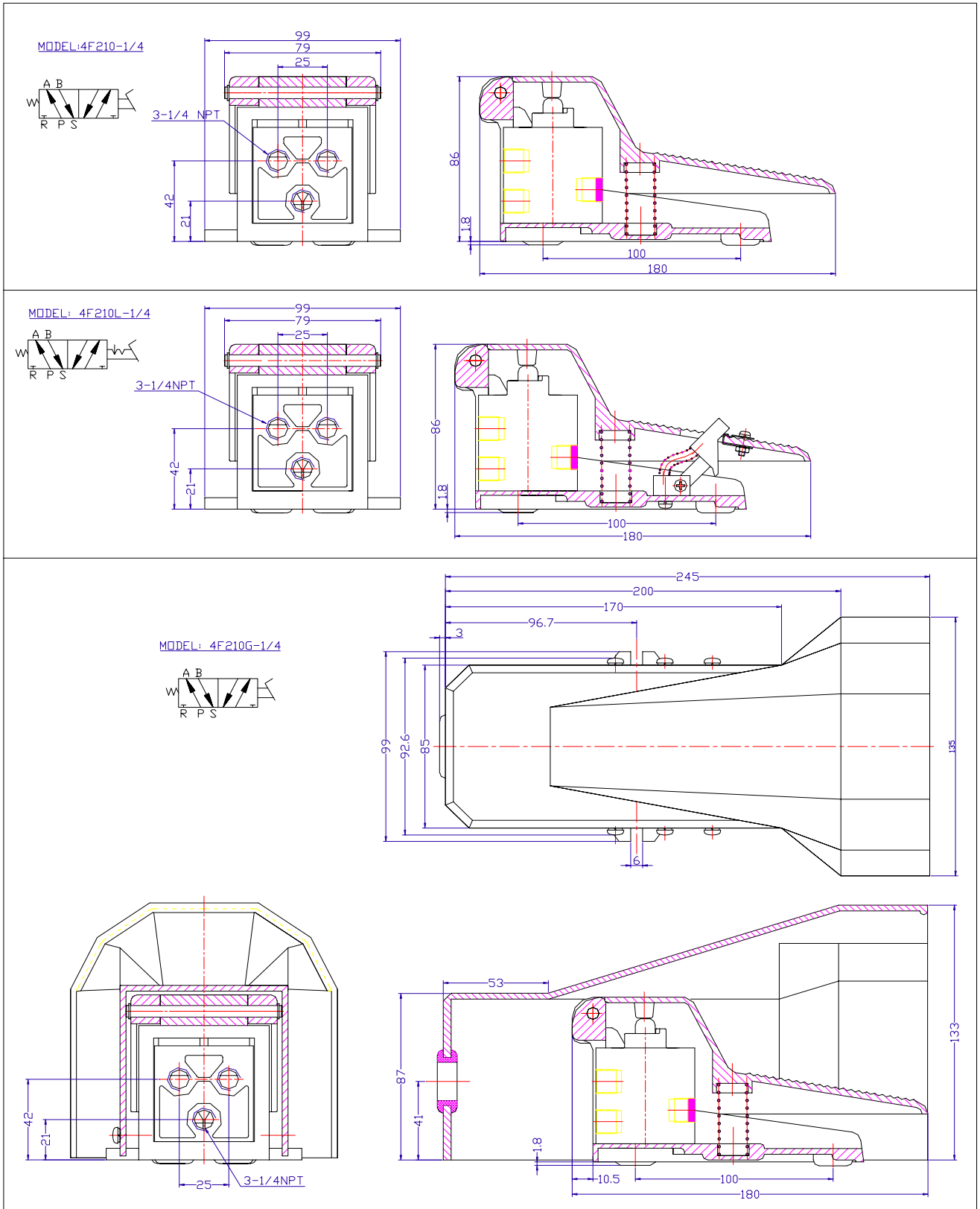


# Air Valve Dimensions



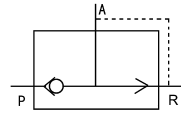
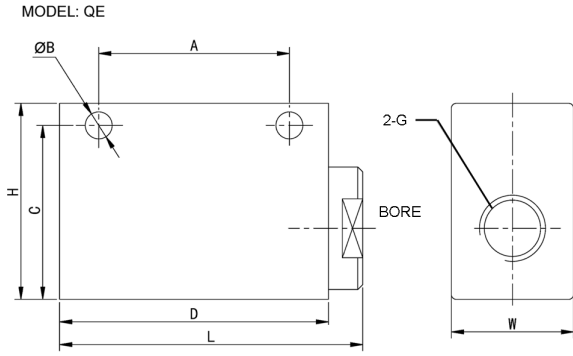
Unit in (mm)

# Air Valve Dimensions

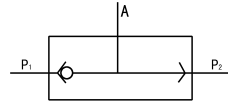
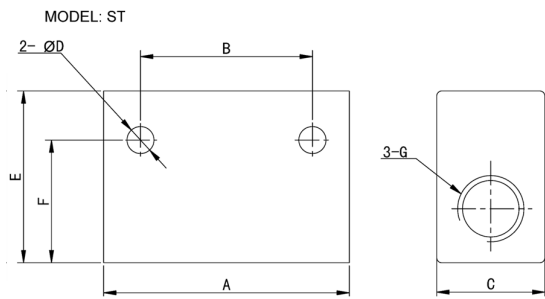


Unit in (mm)

# Air Valve Dimensions

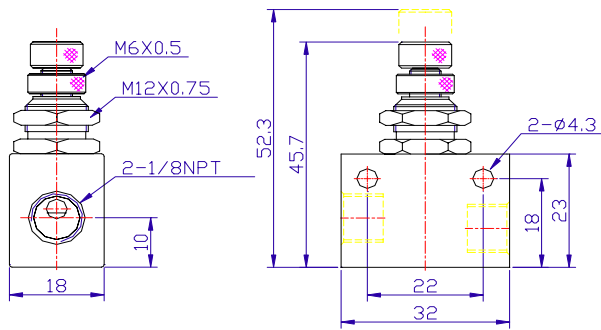


QUICK EXHAUST VALVE (MM)									
	BORE (NPT)	G (NPT)	L	W	H	A	B	C	D
QE-01	1/4	1/8	46	20	32	30	4.3	27.0	40
QE-02	3/8	1/4	62	25	40	39	5.6	33.5	55
QE-03	1/2	3/8	62	25	40	39	5.6	33.5	55
QE-04	3/4	1/2	98	38	64	60	8.5	51.0	90
QE-06	1	3/4	98	38	64	60	8.5	51.0	90

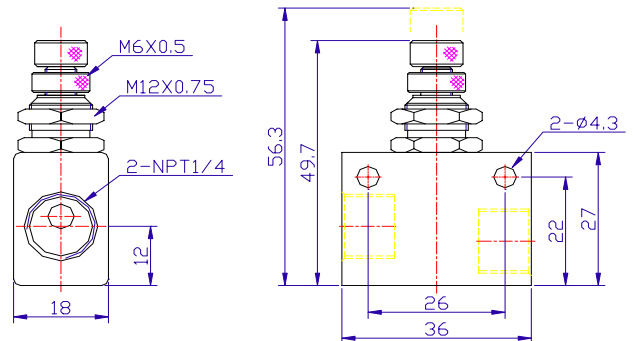


SHUTTLE VALVE (MM)							
	A	B	C	D	E	F	G (NPT)
ST-01	40	24	16	4.5	25	21	1/8
ST-02	50	35	22	5.5	35	25	1/4
ST-03	75	48	30	7.0	50	42	3/8
ST-04	75	48	30	7.0	50	42	1/2
ST-06	110	72	40	7.0	70	58	3/4
ST-08	110	72	40	7.0	70	58	1

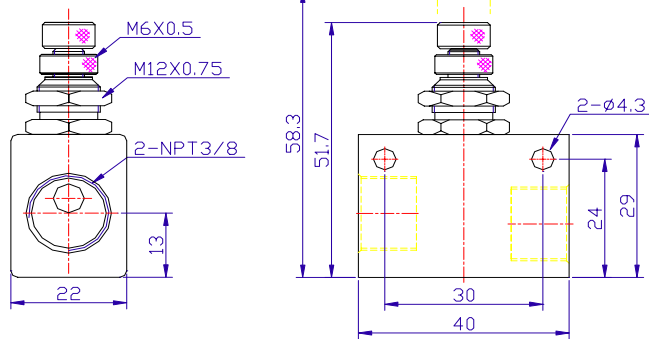
MODEL: ASC N1/8



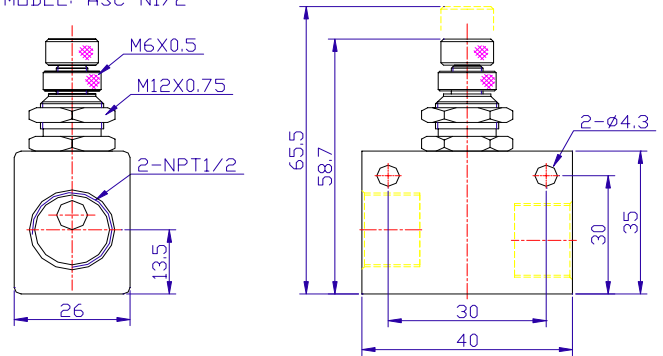
MODEL: ASC N1/4



MODEL: ASC N3/8



MODEL: ASC N1/2



Unit in (mm)

## STC Air Valve Specifications

### Specifications

Model	MSV Series	MOV Series	TSV Series	4H Series	3-4R Series	HV Series	4F Series	FV Series
Description	Hand Valves	Hand Valves	Lever Valves	Lever Valves	Pull/Push	Hand Valves	Foot Valves	Foot Valves
Cv	0.89	0.67	1.0	0.89	0.89	1.68		
Operating Pressure	0 to 115 PSI							
Operating Temperature	23 to 140 Deg. F (-5 to 60 Deg. C)							
Action	Direct Acting							
Working Medium	40 micron filtered air or inert gas							
Body Material	Aluminum							
Seal Material	NBR							
Lubrication	Not Required							

### Specifications

Model	ASC Series	QE Series	ST Series
Description	Flow Control Valves	Quick Exhaust Valves	Shuttle Valves
Operating Pressure	0 to 140 PSI		
Operating Temperature	32 to 140 Deg. F (0 to 60 Deg. C)		
Working Medium	40 micron filtered air or inert gas		
Body Material	Aluminum		
Seal Material	NBR		
Lubrication	Not Required		

**LIMITED WARRANTY – IMPORTANT NOTICE TO PURCHASER**

Sizto Tech Corporation (STC) warrants only this product is be free from defects in materials and workmanship at the time of manufacture. This limited warranty expires one year after delivery to the end-user. STC's entire obligation to and the exclusive remedy of any party for breach of this limited warranty shall be limited to replacement of the defective product or refund of the original purchase price of this product, at STC's option. Purchaser has thirty (30) days to return the goods after STC has agreed to accept the return. All freight charges on returned material shall be paid by the Purchaser. STC's limited warranty shall not apply, however, to the product that have been subjected to misuse, alteration, accident or negligence during handling or storage.

**DISCLAIMER OF IMPLIED WARRANTIES**

All implied warranties, which may arise by implication of law or application of course of dealing or usage of trade, including, but not limited to, implied warranties of merchantability or fitness for a particular purpose are expressly excluded. There are no warranties, which extend beyond the description of the faced hereof. The end user is solely responsible for the suitability and fitness of this product selected for a particular application.

Distributed By



**Sizto Tech Corporation**

2284 Old Middlefield Way, Suite 8

Mountain View, CA 94043 USA

Tel: 650-938 8833, Fax: 650-938 8844

Email: [Sales@StcValve.com](mailto:Sales@StcValve.com); [www.StcValve.com](http://www.StcValve.com)