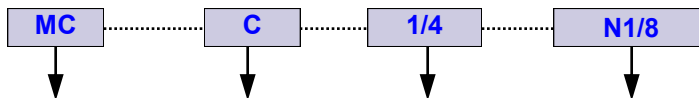


STC Stainless Steel Compression Fitting uses a double ferrules design and incorporates the latest compression fitting technology, including precision machining, high grade 316 Stainless Steel and advanced metallurgy processing; resulting in a superior product that provides extended pressure and temperature operating ranges, and can withstand the most stringent service requirements. It is also designed to be compatible with Swagelok[®], Parker A-Lok, Let-Lok, and Yor-Lok fittings.

FCC (Female Connector)	FEC (Female Elbow)	MCC (Male Connector)	MEC (Male Elbow)	BTC (Branch Tee)	RTC (Run Tee)
BUC (Bulkhead Union)	EUC (Elbow Union)	SUC (Straight Union)	TUC (Tee Union)	CUC (Cross Union)	RUC (Reducing Union)
BFC (Back Ferrule)	FFC (Front Ferrule)	NTC (Nut)	PGC (Plug)	CPC (Cap)	TSC (Tube Stem Reducer)

STC Compression Fittings Numbering System

Ordering Part No. =
(eg. MCC 1/8 10-32)



Fitting Name	Model	Material/Type	Tube OD	Thread Size	Features
BACK FERRULE	BF	316 Stainless Steel Double Ferrule Compression Fittings	(inch)	Pipe Thread Sizes: N= NPT N1/8 N1/4 N3/8 N1/2 N3/4 N1 R= BSPT R1/8 R1/4 R3/8 R1/2 R3/4 R1 Machine Threads 10-32 M5 M6	316 Stainless Steel Compression Fittings with Double Ferrules, Compatible with Swagelok®, Parker A-Lok, Let- Lok, Yor-Lok
BRANCH TEE	BT				
BULKHEAD UNION	BU				
CAP	CP				
ELBOW UNION	EU				
FEMALE CONNECTOR	FC				
FRONT FERRULE	FF				
MALE CONNECTOR	MC				
MALE ELBOW	ME				
NUT	NT				
PLUG	PG				
REDUCED UNION	RU				
RUN TEE	RT				
STRAIGHT UNION	SU				
TEE UNION	TU				
TUBE ADAPTOR	TA				
TUBE STEM REDUCER	TS				
			(mm)		
			4		
			6		
			8		
			10		
			12		
			14		
			16		
			18		
			20		



STC Stainless Steel Compression Fittings List Price

Compression Fittings												
Name	Bulkhead Union		Straight Union		Elbow Union		Tee Union		Cross Union		Reducing Union	
Tube OD	Part No.	Unit Price	Part No.	Unit Price	Part No.	Unit Price	Part No.	Unit Price	Part No.	Unit Price	Part No.	Unit Price
1/8"	BUC 1/8	\$22.43	SUC 1/8	\$11.15	EUC 1/8	\$15.21	TUC 1/8	\$24.30	CUC 1/8	\$50.25	RUC 1/8X1/16	\$16.39
3/16"	BUC 3/16	\$23.09	SUC 3/16	\$10.41	EUC 3/16	\$22.06	TUC 3/16	\$24.97			RUC 3/16X1/16	\$19.60
1/4"	BUC 1/4	\$15.90	SUC 1/4	\$10.31	EUC 1/4	\$15.42	TUC 1/4	\$21.12	CUC 1/4	\$40.76	RUC 3/16X1/8	\$10.68
5/16"	BUC 5/16	\$18.95	SUC 5/16	\$12.55	EUC 5/16	\$19.28	TUC 5/16	\$26.29	CUC 5/16	\$45.80	RUC 1/4X1/16	\$14.71
3/8"	BUC 3/8	\$23.07	SUC 3/8	\$14.64	EUC 3/8	\$18.33	TUC 3/8	\$27.77	CUC 3/8	\$57.55	RUC 1/4X1/8	\$11.65
1/2"	BUC 1/2	\$33.25	SUC 1/2	\$22.20	EUC 1/2	\$30.31	TUC 1/2	\$40.58	CUC 1/2	\$59.73	RUC 1/4X3/16	\$13.46
5/8"	BUC 5/8	\$49.36	SUC 5/8	\$30.47	EUC 5/8	\$40.93	TUC 5/8	\$49.47	CUC 5/8	\$88.66	RUC 5/16X1/4	\$12.95
3/4"	BUC 3/4	\$55.31	SUC 3/4	\$37.04	EUC 3/4	\$53.86	TUC 3/4	\$63.39	CUC 3/4	\$117.87	RUC 3/8X1/16	\$22.29
1	BUC 1	\$109.78	SUC 1	\$64.45	EUC 1	\$109.78	TUC 1	\$140.35	CUC 1	\$210.38	RUC 3/8X1/8	\$19.87
											RUC 3/8X1/4	\$15.18
											RUC 3/8X5/16	\$18.19
											RUC 1/2X1/8	\$32.65
4 mm	BUC 4		SUC 4		EUC 4		TUC 4		CUC 4		RUC 1/2X1/4	\$24.30
6 mm	BUC 6		SUC 6		EUC 6		TUC 6		CUC 6		RUC 1/2X3/8	\$23.70
8 mm	BUC 8		SUC 8		EUC 8		TUC 8		CUC 8		RUC 5/8X3/8	\$36.58
10 mm	BUC 10		SUC 10		EUC 10		TUC 10		CUC 10		RUC 5/8X1/2	\$35.96
12 mm	BUC 12		SUC 12		EUC 12		TUC 12		CUC 12		RUC 3/4X3/8	\$49.93

Compression Fittings														
Name	CAP		Back Ferrule		Front Ferrule		Nut		Plug		Tube Stem Reducer		Tube X Male Pipe (Butt Weld)	
Tube OD	Part No.	Unit Price	Part No.	Unit Price	Part No.	Unit Price	Part No.	Unit Price	Part No.	Unit Price	Part No.	Unit Price	Part No.	Unit Price
1/8"	CPC 1/8	\$7.34	BFC 1/8	\$1.99	FFC 1/8	\$2.19	NTC 1/8	\$2.42	PGC 1/8	\$7.27	TRC 1/16X1/8	\$15.43	BWC 1/8X1/8	\$7.64
3/16"	CPC 3/16	\$7.25	BFC 3/16	\$2.01	FFC 3/16	\$2.21	NTC 3/16	\$2.18	PGC 3/16	\$7.5	TRC 1/8X1/16	\$15.43	BWC 3/16X1/8	\$9.19
1/4"	CPC 1/4	\$6.22	BFC 1/4	\$1.67	FFC 1/4	\$1.81	NTC 1/4	\$2.18	PGC 1/4	\$5.58	TRC 1/4X1/8	\$11.45	BWC 1/4X1/8	\$7.42
5/16"	CPC 5/16	\$6.63	BFC 5/16	\$2.02	FFC 5/16	\$2.21	NTC 5/16	\$2.33	PGC 5/16	\$6.10	TRC 1/4X3/8	\$9.20	BWC 1/4X1/4	\$7.78
3/8"	CPC 3/8	\$8.29	BFC 3/8	\$1.97	FFC 3/8	\$2.17	NTC 3/8	\$2.95	PGC 3/8	\$6.55	TRC 1/4X1/2	\$10.80	BWC 5/16X1/4	\$12.21
1/2"	CPC 1/2	\$12.44	BFC 1/2	\$2.91	FFC 1/2	\$3.11	NTC 1/2	\$4.85	PGC 1/2	\$9.32	TRC 5/16X1/4	\$12.87	BWC 3/8X3/8	\$12.47
5/8"	CPC 5/8	\$15.65	BFC 5/8	\$3.41	FFC 5/8	\$3.61	NTC 5/8	\$6.98	PGC 5/8	\$13.22	TRC 3/8X1/4	\$11.40	BWC 3/8X1/2	\$17.15
3/4"	CPC 3/4	\$21.02	BFC 3/4	\$4.28	FFC 3/4	\$4.82	NTC 3/4	\$8.33	PGC 3/4	\$15.55	TRC 3/8X1/2	\$11.40	BWC 1/2X1/2	\$16.85
1	CPC 1	\$39.15	BFC 1	\$7.36	FFC 1	\$10.02	NTC 1	\$15.87	PGC 1	\$30.28	TRC 1/2X3/4	\$16.15	BWC 1/2X3/4	\$25.06

4 mm	CPC 4		BFC 4		FFC 4		NTC 4		PGC 4				BWC 5/8X1/2	\$19.40
6 mm	CPC 6		BFC 6		FFC 6		NTC 6		PGC 6				BWC 3/4X3/4	\$28.33
8 mm	CPC 8		BFC 8		FFC 8		NTC 8		PGC 8				BWC 1X1	\$54.81
10 mm	CPC 10		BFC 10		FFC 10		NTC 10		PGC 10					
12 mm	CPC 12		BFC 12		FFC 12		NTC 12		PGC 12					



STC Stainless Steel Compression Fittings List Price

Compression Fittings													
Tube OD	Name	Branch Tee		Female Connector		Female Branch Tee		Male Connector		Male Elbow		Run Tee	
		Part No.	Unit Price	Part No.	Unit Price	Part No.	Unit Price	Part No.	Unit Price	Part No.	Unit Price	Part No.	Unit Price
1/8"	10-32UNF												
1/8"	NPT1/8"	BTC 1/8 N1/8	\$24.35	FCC 1/8 N1/8	\$10.84	FBC 1/8 N1/8	\$31.80	MCC 1/8 N1/8	\$8.20	MEC 1/8 N1/8	\$13.56	RTC 1/8 N1/8	\$24.69
1/8"	NPT1/4"	BTC 1/8 N1/4	\$27.57	FCC 1/8 N1/4	\$12.65	FBC 1/8 N1/4	\$31.34	MCC 1/8 N1/4	\$9.03	MEC 1/8 N1/4	\$12.98	RTC 1/8 N1/4	\$41.25
3/16"	10-32UNF												
3/16"	NPT1/8"	BTC 3/16 N1/8	\$27.36	FCC 3/16 N1/8	\$10.44			MCC 3/16 N1/8	\$7.38	MEC 3/16 N1/8	\$13.76	RTC 3/16 N1/8	\$25.49
3/16"	NPT1/4"									MEC 3/16 N1/4	\$15.21		
3/16"	NPT3/8"												
1/4"	10-32UNF												
1/4"	NPT1/8"	BTC 1/4 N1/8	\$23.00	FCC 1/4 N1/8	\$9.20	FBC 1/4 N1/8	\$29.20	MCC 1/4 N1/8	\$7.10	MEC 1/4 N1/8	\$11.71	RTC 1/4 N1/8	\$23.37
1/4"	NPT1/4"	BTC 1/4 N1/4	\$27.69	FCC 1/4 N1/4	\$11.27	FBC 1/4 N1/4	\$32.57	MCC 1/4 N1/4	\$7.36	MEC 1/4 N1/4	\$12.68	RTC 1/4 N1/4	\$27.69
1/4"	NPT3/8"			FCC 1/4 N3/8	\$14.41	FBC 1/4 N3/8	\$52.05	MCC 1/4 N3/8	\$9.05	MEC 1/4 N3/8	\$18.94	RTC 1/4 N3/8	\$35.80
5/16"	NPT1/8"			FCC 5/16 N1/8	\$11.76			MCC 5/16 N1/8	\$8.64	MEC 5/16 N1/8	\$13.76	RTC 5/16 N1/8	\$29.33
5/16"	NPT1/4"			FCC 5/16 N1/4	\$12.41			MCC 5/16 N1/4	\$10.44	MEC 5/16 N1/4	\$14.27	RTC 5/16 N1/4	\$30.50
5/16"	NPT3/8"												
3/8"	NPT1/8"			FCC 3/8 N1/8	\$12.28			MCC 3/8 N1/8	\$9.55	MEC 3/8 N1/8	\$16.96		
3/8"	NPT1/4"	BTC 3/8 N1/4	\$29.50	FCC 3/8 N1/4	\$11.54	FBC 3/8 N1/4	\$33.49	MCC 3/8 N1/4	\$8.96	MEC 3/8 N1/4	\$15.73	RTC 3/8 N1/4	\$29.40
3/8"	NPT3/8"	BTC 3/8 N3/8	\$33.23	FCC 3/8 N3/8	\$15.55	FBC3/8 N3/8	\$49.75	MCC 3/8 N3/8	\$10.66	MEC 3/8 N3/8	\$19.71	RTC 3/8 N3/8	\$34.05
3/8"	NPT1/2"			FCC 3/8 N1/2	\$20.61	FBC 3/8 N1/2	\$62.61	MCC 3/8 N1/2	\$12.24	MEC 3/8 N1/2	\$25.30	RTC 3/8 N1/2	\$52.60
1/2"	NPT1/4"			FCC 1/2 N1/4	\$16.28	FBC 1/2 N1/4	\$55.55	MCC 1/2 N1/4	\$13.74	MEC 1/2 N1/4	\$23.31		
1/2"	NPT3/8"	BTC 1/2 N3/8	\$44.12	FCC 1/2 N3/8	\$16.67	FBC 1/2 N3/8	\$46.70	MCC 1/2 N3/8	\$14.28	MEC 1/2 N3/8	\$23.31	RTC 1/2 N3/8	\$44.08
1/2"	NPT1/2"	BTC 1/2 N1/2	\$46.38	FCC 1/2 N1/2	\$22.38	FBC 1/2 N1/2	\$52.64	MCC 1/2 N1/2	\$15.28	MEC 1/2 N1/2	\$28.05	RTC 1/2 N1/2	\$46.38
1/2"	NPT3/4"			FCC 1/2 N3/4	\$27.89			MCC 1/2 N3/4	\$20.53	MEC 1/2 N3/4	\$41.04		
1/2"	NPT1"												
5/8"	NPT3/8"			FCC 5/8 N3/8	\$29.48			MCC 5/8 N3/8	\$19.42	MEC 5/8 N3/8	\$31.70		
5/8"	NPT1/2"	BTC 5/8 N1/2	\$57.49	FCC 5/8 N1/2	\$24.81	FBC 5/8 N1/2	\$69.09	MCC 5/8 N1/2	\$20.55	MEC 5/8 N1/2	\$33.37	RTC 5/8 N1/2	\$57.49
5/8"	NPT3/4"							MCC 5/8 N3/4	\$25.89	MEC 5/8 N3/4	\$42.46		
3/4"	NPT1/2"			FCC 3/4 N1/2	\$30.56			MCC 3/4 N1/2	\$26.91	MEC 3/4 N1/2	\$36.80		
3/4"	NPT3/4"	BTC 3/4 N3/4	\$69.38	FCC 3/4 N3/4	\$30.82	FBC 3/4 N3/4	\$90.13	MCC 3/4 N3/4	\$27.62	MEC 3/4 N3/4	\$40.05	RTC 3/4 N3/4	\$69.38
3/4"	NPT1"							MCC 3/4 N1	\$36.60				
1"	NPT1/2"												
1"	NPT3/4"			FCC 1 N3/4	\$62.76	FBC 1 N3/4	\$164.62	MCC 1 N3/4	\$45.98	MEC 1 N3/4	\$71.68		
1"	NPT1"			FCC 1 N1	\$74.84	FBC 1 N1	\$171.54	MCC 1 N1	\$42.69	MEC 1 N1	\$70.55		

4 mm	M5	BTC 4 M5		FCC 4 M5		FBC 4 M5		MCC 4 M5		MEC 4 M5		RTC 4 M5	
4mm	M6X1	BTC 4 M6		FCC 4 M6		FBC 4 M6		MCC 4 M6		MEC 4 M6		RTC 4 M6	
4 mm	R1/8	BTC 4 R1/8		FCC 4 R1/8		FBC 4 R1/8		MCC 4 R1/8		MEC 4 R1/8		RTC 4 R1/8	
4 mm	R1/4	BTC 4 R1/4		FCC 4 R1/4		FBC 4 R1/4		MCC 4 R1/4		MEC 4 R1/4		RTC 4 R1/4	
6mm	M5	BTC 6 M5		FCC 6 M5		FBC 6 M5		MCC 6 M5		MEC 6 M5		RTC 6 M5	
6mm	M6X1	BTC 6 M6		FCC 6 M6		FBC 6 M6		MCC 6 M6		MEC 6 M6		RTC 6 M6	
6mm	R1/8	BTC 6 R1/8		FCC 6 R1/8		FBC 6 R1/8		MCC 6 R1/8		MEC 6 R1/8		RTC 6 R1/8	
6mm	R1/4	BTC 6 R1/4		FCC 6 R1/4		FBC 6 R1/4		MCC 6 R1/4		MEC 6 R1/4		RTC 6 R1/4	
6mm	R3/8	BTC 6 R3/8		FCC 6 R3/8		FBC 6 R3/8		MCC 6 R3/8		MEC 6 R3/8		RTC 6 R3/8	
6mm	R1/2	BTC 6 R1/2		FCC 6 R1/2		FBC 6 R1/2		MCC 6 R1/2		MEC 6 R1/2		RTC 6 R1/2	
8mm	R1/8	BTC 8 R1/8		FCC 8 R1/8		FBC 8 R1/8		MCC 8 R1/8		MEC 8 R1/8		RTC 8 R1/8	
8 mm	R1/4	BTC 8 R1/4		FCC 8 R1/4		FBC 8 R1/4		MCC 8 R1/4		MEC 8 R1/4		RTC 8 R1/4	
8 mm	R3/8	BTC 8 R3/8		FCC 8 R3/8		FBC 8 R3/8		MCC 8 R3/8		MEC 8 R3/8		RTC 8 R3/8	
8mm	R1/2	BTC 8 R1/2		FCC 8 R1/2		FBC 8 R1/2		MCC 8 R1/2		MEC 8 R1/2		RTC 8 R1/2	
10mm	R1/8	BTC 10 R1/8		FCC 10 R1/8		FBC 10 R1/8		MCC 10 R1/8		MEC 10 R1/8		RTC 10 R1/8	
10mm	R1/4	BTC 10 R1/4		FCC 10 R1/4		FBC 10 R1/4		MCC 10 R1/4		MEC 10 R1/4		RTC 10 R1/4	
10mm	R3/8	BTC 10 R3/8		FCC 10 R3/8		FBC 10 R3/8		MCC 10 R3/8		MEC 10 R3/8		RTC 10 R3/8	
10mm	R1/2	BTC 10 R1/2		FCC 10 R1/2		FBC 10 R1/2		MCC 10 R1/2		MEC 10 R1/2		RTC 10 R1/2	
12mm	R1/4	BTC 12 R1/4		FCC 12 R1/4		FBC 12 R1/4		MCC 12 R1/4		MEC 12 R1/4		RTC 12 R1/4	
12mm	R3/8	BTC 12 R3/8		FCC 12 R3/8		FBC 12 R3/8		MCC 12 R3/8		MEC 12 R3/8		RTC 12 R3/8	
12mm	R1/2	BTC 12 R1/2		FCC 12 R1/2		FBC 12 R1/2		MCC 12 R1/2		MEC12 R1/2		RTC 12 R1/2	

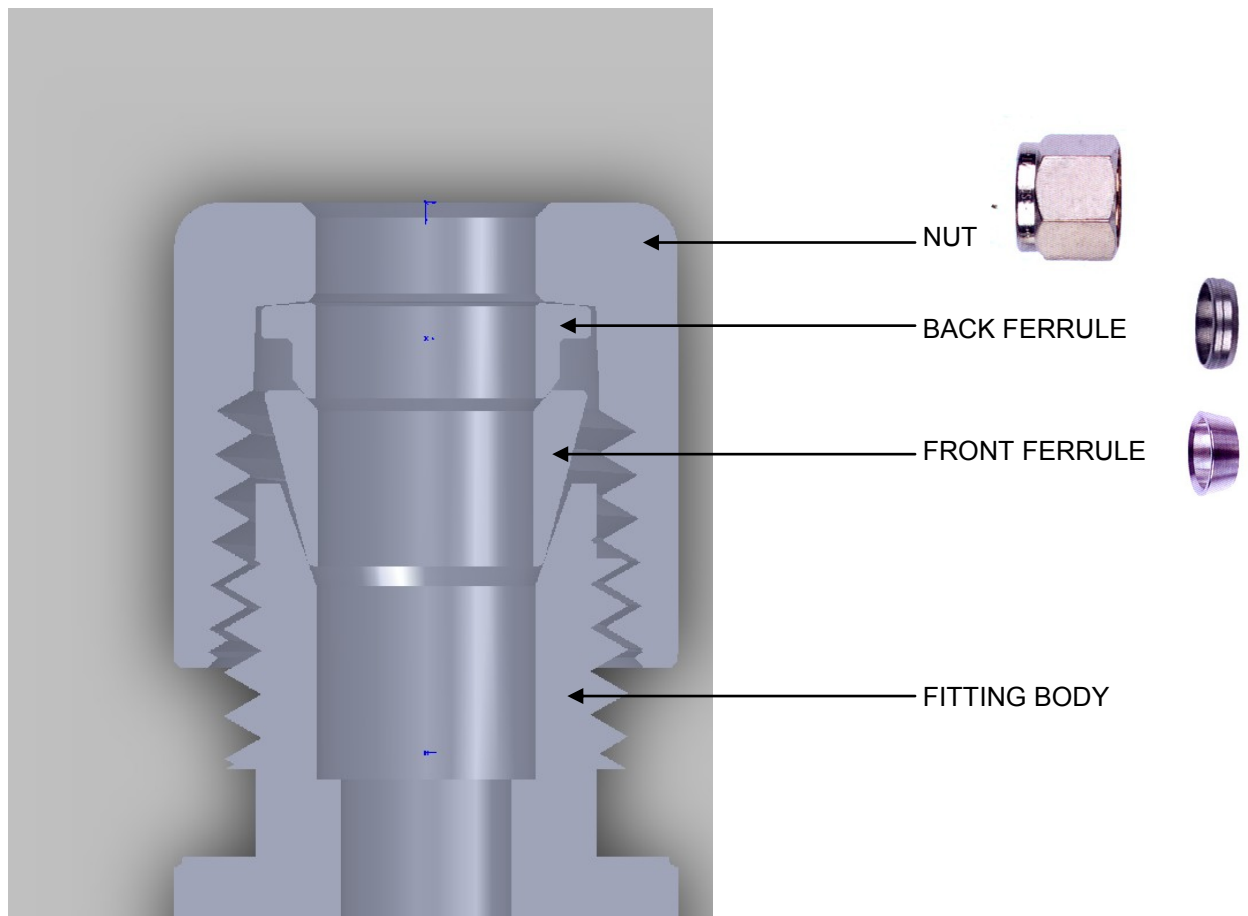
SPECIFICATIONS	
Operating Temperature	-425 to 600 °F
Material of Construction	316 stainless Steel
Compatible with	Swagelok [®] , Parker A-Lok, Let-Lock, Yor-Lok
Service	air, water, steam, oil, gasoline, natural gas, most solvent and acids that are compatible with 316 stainless steel.

PRESSURE		
Tube Size (OD)		Maximum Pressure (PSI @72 °F)*
1/16"		10000
1/8"	2 mm	8800
3/16"	4 mm	5500
1/4"	6 mm	4200
5/16"	8 mm	3300
3/8"	10 mm	2800
1/2"	12 mm	2500
5/8"	16 mm	2300
3/4"	18 mm	2100
1"	20 mm	1900

* Maximum pressures are based on Type 304 and 316 annealed stainless steel welded tubing made to ASTM A213, A249, or A269 standards.

Installation

The STC compression fittings compose of a fitting body, nut and front and back ferrules. To install, assemble the components of the fitting as shown below, inset the tubing into a fitting until the tubing reaches the bottom. Finger-tighten the nut, then continue tightening to a 3/4 turn using a wrench.



Terms and Conditions

By purchasing from SIZTO TECH CORPORATION (STC), you agree to these TERMS AND CONDITIONS. No other terms shall apply except as agreed in writing signed by us. We reserve the right to correct typographic errors and reject orders.

SHIPMENTS:

All shipments are F.O.B. 892 Commercial Street, Palo Alto, CA 94303, USA. Most orders are shipped via UPS Standard Ground unless instructions accompany order. Outside the UPS zones, shipment will be made Best Way. The responsibility for goods delay, lost or damaged in transit rests with the carrier and purchaser. Purchaser may purchase shipping insurance to cover lost or damaged products caused by shipping.

RETURN OF MERCHANDISE:

No merchandise is accepted for return 30 days after delivery date. No credit allowed on merchandise shipped as ordered and returned without obtaining an authorization number IN ADVANCE. A 20% restocking charge applies to all returns, and transportation charges must be fully prepaid. We will pay **ground** transportation charges on re-sent or returned merchandise due to STC's error.

Shortages & Mis-Shipments: Any shortages or mis-shipment must be reported within 15 days.

CANCELLATION POLICY:

Blanket order can be canceled 90 days before scheduled ship date. There will be a 10% charge if a blanket order is cancel within 90 days of scheduled ship date, and a 20% charge if cancel within 60 days. Regular order for non-custom parts can be canceled any time before the order is shipped. For custom parts, a 30% down payment is required either at the time of order or 90 days prior to scheduled ship date, whichever comes later.

Remittances should be sent to:

Sizto Tech Corporation, 892 Commercial Street, Palo Alto, CA 94303, USA

Credit Card Payments: Visa, MasterCard, Discover, or American Express Accepted

International Customers: Advance Payment Required via Bank Wire, Cashier's Check or Approved Credit Card.

Credit Application: To establish a net 30 day account, please mail or fax three trade references with complete mailing addresses and account numbers.

LIMITED WARRANTY – IMPORTANT NOTICE TO PURCHASER:

Sizto Tech Corporation (STC) only warrants this product to be free from defects in materials and workmanship at the time of shipment. This limited warranty expires one year after delivery to the end-user. STC's entire obligation to the Purchaser for breach of this limited warranty shall be limited to replacement of the defective product or refund of the original purchase price of this product, at STC's option. Purchaser has thirty (30) days to return the goods after STC has agreed to accept the return. All freight charges on returned material shall be paid by the Purchaser. STC's limited warranty shall not apply, however, to the product that have been subjected to misuse, alteration, accident or negligence during handling or storage.

DISCLAIMER OF IMPLIED WARRANTIES:

All implied warranties, which may arise by implication of law or application of course of dealing or usage of trade, including, but not limited to, implied warranties of merchantability or fitness for a particular purpose are expressly excluded. There are no warranties, which extend beyond the description of the faced hereof. The end user is solely responsible for the suitability and fitness of this product selected for a particular application.

OBLIGATIONS

You warrant, represent and agree: (1) to comply with all laws; (2) that our sale and shipment of the product will not, by export thereof, your legal status or otherwise, cause us to violate any law; and (3) to indemnify us against any losses from a failure by you or a third party to comply with law or these terms and conditions, or from use of the product.

SAFETY WARNING

Failure or improper selection or improper use of the components and products described herein or related items can cause death, personal injury and/or property damage. This document and other related information from STC provides products options for further investigation by users having the technical expertise. It is important that you analyze all aspects of your application and review the information concerning the component or product in the current catalog. Due to the variety of operation conditions and applications for these components or products, the user, through his own analysis and testing, is solely responsible for making the final selection and installation of the components and products and assuring that all performance, safety and warning requirements of the application are met. All products set-ups and maintenance require the supervision of a qualified individual who is familiar with installation, inspection and testing through training or experience.

IMPORTANT NOTICE:

The products described herein, including without limitation, product features, specifications, design, availability and pricing, are subject to change without notice. We continuously improve the products, and we reserve the right to change specifications without incurring any obligation to incorporate new factors in equipment previously sold.



Sizto Tech Corporation

892 Commercial Street

Palo Alto, CA 94303 USA

Tel: 650-856 8833 | Fax: 650-856 8811

Email: Sales@StcValve.com; www.StcValve.com